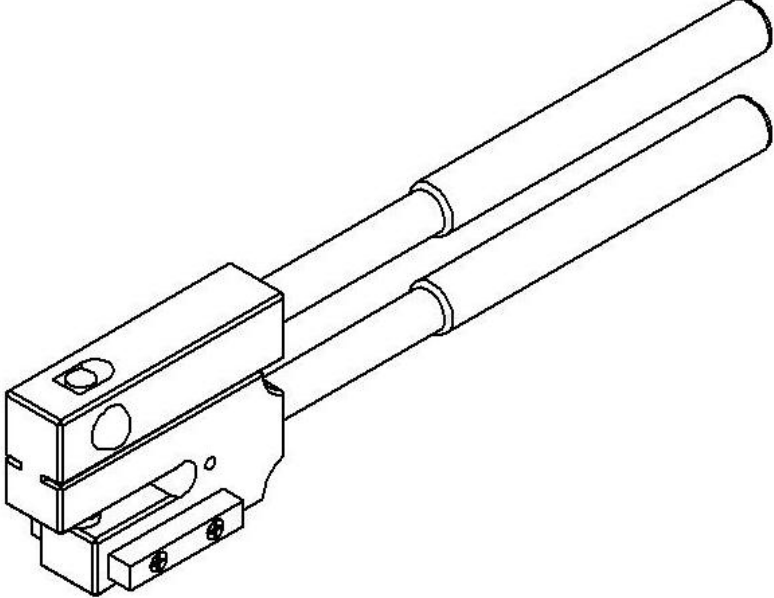



Product Code SDS-TL-HHP	Nominal Dimensions N/A	
Description <p>The Holocom Secure Raceway Punch Tool quickly and accurately punches mounting holes at the ends of the Secure Raceway. This tool, custom made by Holocom, saves substantial labor on medium to large jobs. It also improves the accuracy of hole placement thereby reducing the likelihood of waste and improving the fit and security of the entire system.</p>		
Specifications <ul style="list-style-type: none"> Weight: 4 lbs 		

	Holocom, Inc. 2386 Faraday Avenue, Suite 200 Carlsbad, CA 92008 Tel: (760) 804-9545 Fax: (760) 804-9149 www.holocom.com	PRODUCT CODE: SDS-TL-HHP	TITLE: SECURE RACEWAY PUNCH TOOL
<p>All material contained in this document is the property of Holocom, Inc. and may not be reproduced or transmitted (including electronically) without the written consent of Holocom, Inc. Holocom and the Holocom logo are registered trademarks of Holocom, Inc. Other noted marks are trademarks of their respective companies. Holocom products protected by US Pats. 7,183,488; 7,115,814; 7,053,303; 7,049,517; 6,838,616; 5,831,211 and Pats. pending. Made in the U.S.A. Copyright © 2008 Holocom, Inc. All rights reserved.</p>			