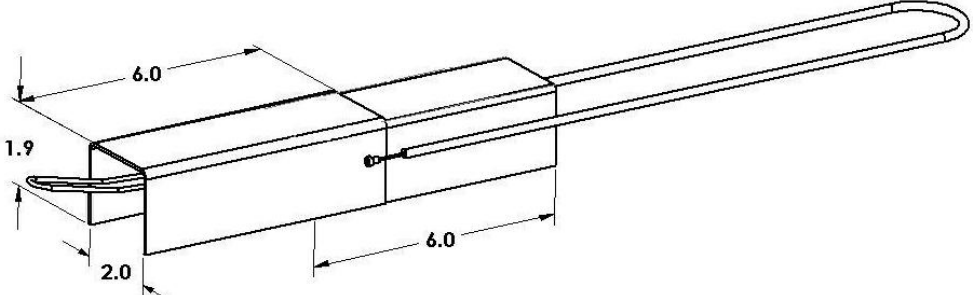


Product Code SDS-LK-KIT-ST	Nominal Dimensions N/A	
Description <p>The Steel Raceway Locking Kit is required to securely lock down the Secure Raceway. When in "lock-down" position, the entire raceway is secure and the enclosed cables are protected. Releasing the lock enables the raceway to be repositioned and expanded for future Moves, Adds and Changes. The Steel Locking Kit is used with steel and aluminum Secure Raceway.</p>		
Specifications <ul style="list-style-type: none"> • 16-gauge electro-galvanized steel • Components: <ul style="list-style-type: none"> - Raceway Lock Connector: Length 6" x Width 2" x Height 2" - TopCap Starter: Length 6" x Width 2" x Height 2" - Lock assembly with 30" lanyard • Used with Steel and Aluminum Secure Raceway • Total Weight: 2 lbs <p>Powder Coat Finish: White Textured</p>		

	Holocom, Inc. 2386 Faraday Avenue, Suite 200 Carlsbad, CA 92008 Tel: (760) 804-9545 Fax: (760) 804-9149 www.holocom.com	PRODUCT CODE: SDS-LK-KIT-ST	TITLE: STEEL LOCKING KIT
All material contained in this document is the property of Holocom, Inc. and may not be reproduced or transmitted (including electronically) without the written consent of Holocom, Inc. Holocom and the Holocom logo are registered trademarks of Holocom, Inc. Other noted marks are trademarks of their respective companies. Holocom products protected by US Pats. 7,183,488; 7,115,814; 7,053,303; 7,049,517; 6,838,616; 5,831,211 and Pats. pending. Made in the U.S.A. Copyright © 2008 Holocom, Inc. All rights reserved.			