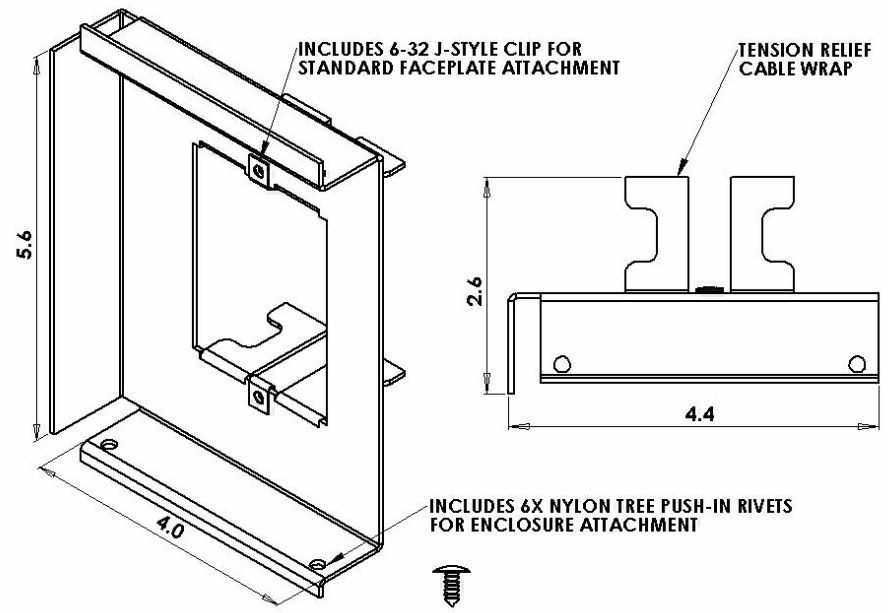


Product Code	Nominal Dimensions
SDS-IN-RTF	6" x 4" x 2.5"

Description

The Retrofit Insert – Back Plate (RTF) is constructed of powder coated 16-gauge, electro-galvanized steel and fits into High Security Enclosure SEC-WM-764-H1. This new addition to the Holocom PDS product suite improves installation efficiency by eliminating the need to order and install surface mount boxes. The addition of the Retrofit Insert – Back Plate reduces installation time and provides a cleaner look inside the enclosure. The RTF includes an integrated tension relief cable management wrap, a 6-32 U-style clip for a standard single-gang faceplate¹ attachment, and six nylon tree push-in rivets for attaching the RTF to the 764 Enclosure.

- Specifications**
- Height 5.6" x Width 4.00" x Depth 2.6"
 - 16-gauge electro-galvanized steel
 - Weight .65 lbs
 - Designed to fit High Security Enclosure SEC-WM-764-H1
 - Integrated tension relief cable management wrap
 - 6-32 U-style clip for a standard single-gang faceplate attachment
 - Six (6) nylon tree push-in rivets for enclosure attachment
- Powder Coat Finish: White Textured
- ¹ Compatible with most US single-gang faceplates



Holocom, Inc.
 2386 Faraday Avenue, Suite 200
 Carlsbad, CA 92008
 Tel: (760) 804-9545 Fax: (760) 804-9149
www.holocom.com

PRODUCT CODE:
SDS-IN-RTF

TITLE:
RETROFIT INSERT – BACK PLATE

All material contained in this document is the property of Holocom, Inc. and may not be reproduced or transmitted (including electronically) without the written consent of Holocom, Inc. Holocom and the Holocom logo are registered trademarks of Holocom, Inc. Other noted marks are trademarks of their respective companies. Holocom products protected by US Pats. 7,183,488; 7,115,814; 7,053,303; 7,049,517; 6,838,616; 5,831,211 and Pats. pending. Made in the U.S.A. Copyright © 2008 Holocom, Inc. All rights reserved.