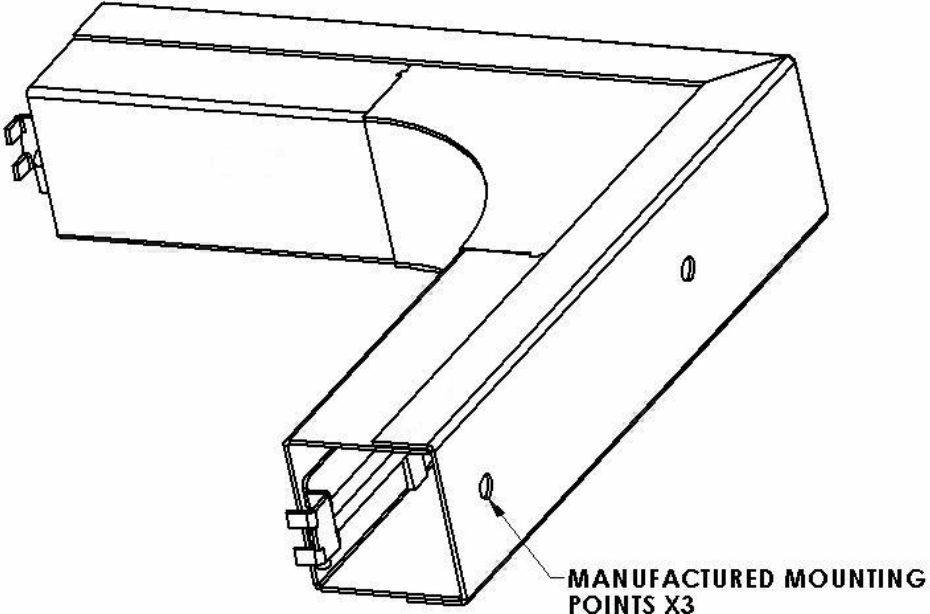



Product Code SDS-CT-90i	Nominal Dimensions N/A	
Description <p>The 90° Internal Connector allows the Secure Raceway to perform a right-angle turn on an inside corner. This two-piece connector consists of a base and cover which come apart through the double-action spring-lock mechanism. Three manufactured mounting points on the base allow a simplified, labor-saving mounting technique.</p>		
Specifications <ul style="list-style-type: none"> • 16-gauge electro-galvanized steel • Weight: 4 lbs • Double-action spring-lock mechanism • Three (3) manufactured mounting points located along connector center line <p>Powder Coat Finish: White Textured</p>		

	Holocom, Inc. 2386 Faraday Avenue, Suite 200 Carlsbad, CA 92008 Tel: (760) 804-9545 Fax: (760) 804-9149 www.holocom.com	PRODUCT CODE: SDS-CT-90i	TITLE: 90° INTERNAL CONNECTOR
<p>All material contained in this document is the property of Holocom, Inc. and may not be reproduced or transmitted (including electronically) without the written consent of Holocom, Inc. Holocom and the Holocom logo are registered trademarks of Holocom, Inc. Other noted marks are trademarks of their respective companies. Holocom products protected by US Pats. 7,183,488; 7,115,814; 7,053,303; 7,049,517; 6,838,616; 5,831,211 and Pats. pending. Made in the U.S.A. Copyright © 2008 Holocom, Inc. All rights reserved.</p>			