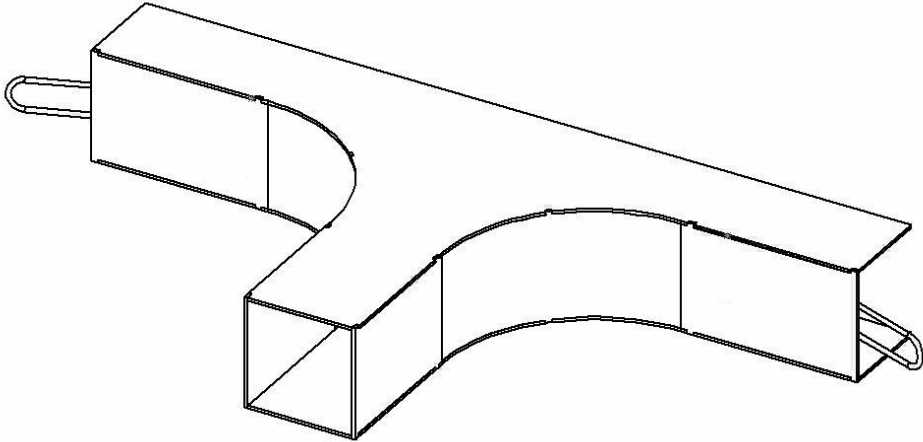



Product Code SDS-CT-3IN	Nominal Dimensions 15" x 8" x 2"	
Description <p>The Internal Three-Way Connector splits the Secure Raceway run, allowing the original run to continue while another run spans across a hallway to the opposite wall. Holocom recently improved upon its original Internal Three-Way Connector by consolidating two pieces into one. The design to a single-piece connector makes installation easier and faster.</p>		
Specifications <ul style="list-style-type: none"> • Length 15.2" x Width 7.9" x Depth 2.2" • 16-gauge electro-galvanized steel • Weight: 2.5 lbs • Attaches to raceway with secure clips <p>Powder Coat Finish: White Textured on external surfaces</p>		

	Holocom, Inc. 2386 Faraday Avenue, Suite 200 Carlsbad, CA 92008 Tel: (760) 804-9545 Fax: (760) 804-9149 www.holocom.com	PART #: SDS-CT-3IN	TITLE: INTERNAL THREE-WAY CONNECTOR
		All material contained in this document is the property of Holocom, Inc. and may not be reproduced or transmitted (including electronically) without the written consent of Holocom, Inc. Holocom and the Holocom logo are registered trademarks of Holocom, Inc. Other noted marks are trademarks of their respective companies. Holocom products protected by US Pats. 7,183,488; 7,115,814; 7,053,303; 7,049,517; 6,838,616; 5,831,211 and Pats. pending. Made in the U.S.A. Copyright © 2008 Holocom, Inc. All rights reserved.	