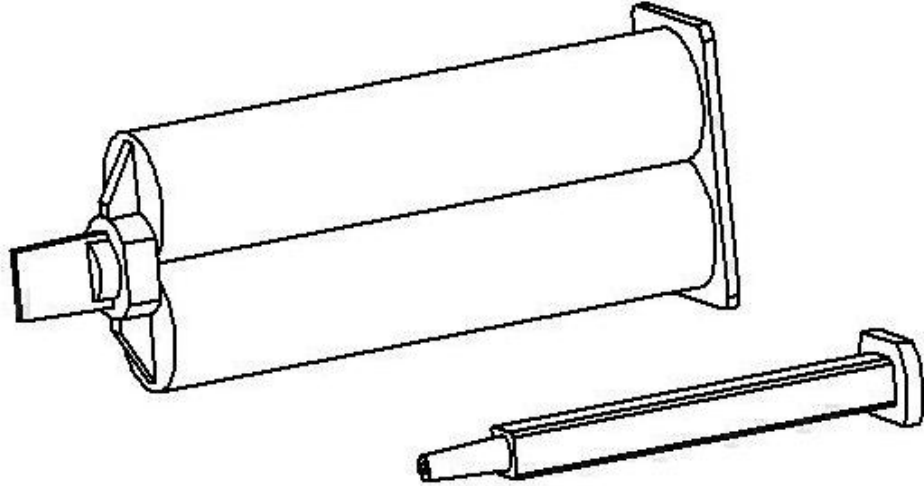



Product Code SDS-332781 SDS-332784	Nominal Dimensions N/A	
Description When required, Holocom provides an epoxy solution for Secure Raceway consisting of 3M™ two-part epoxy, dispensed using the 3M EPX nozzle.		
Specifications <ul style="list-style-type: none"> • 3M™ DP100NS Translucent 2-part Epoxy (SDS-332781) • 3M EPX mixing nozzle (SDS-332784) • Sold separately in desired quantity 		

	Holocom, Inc. 2386 Faraday Avenue, Suite 200 Carlsbad, CA 92008 Tel: (760) 804-9545 Fax: (760) 804-9149 www.holocom.com	PRODUCT CODE: SDS-332781 SDS-332784	TITLE: SECURE RACEWAY 3M™ EPOXY EPOXY NOZZLE
All material contained in this document is the property of Holocom, Inc. and may not be reproduced or transmitted (including electronically) without the written consent of Holocom, Inc. Holocom and the Holocom logo are registered trademarks of Holocom, Inc. Other noted marks are trademarks of their respective companies. Holocom products protected by US Pats. 7,183,488; 7,115,814; 7,053,303; 7,049,517; 6,838,616; 5,831,211 and Pats. pending. Made in the U.S.A. Copyright © 2008 Holocom, Inc. All rights reserved.			