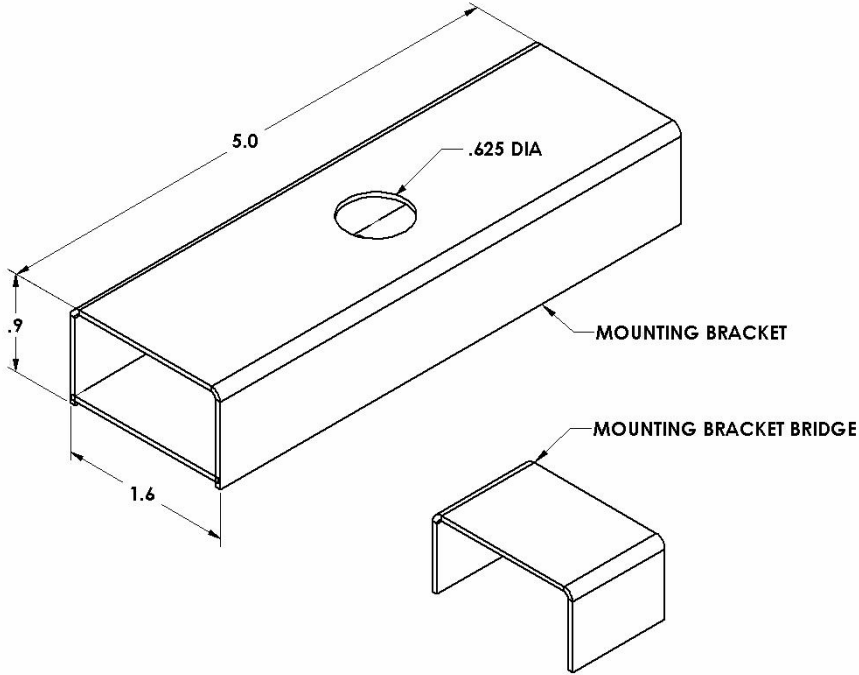



<b>Product Code</b> SMD-WM-MB	<b>Nominal Dimensions</b> 5" x 2" x 1"	
<b>Description</b> <p>The Secure Mini Dukt™ Mounting Bracket serves a dual purpose by providing the installation point for attaching Secure Mini Dukt™ Tube to the wall and securely holding two ends of Tube together. EMT, by contrast, requires both straps and connectors to achieve a secure attachment to the wall. The two-piece Mounting Bracket contains a built-in stopper on both sides of the manufactured mounting point. This simplifies installation and allows for a 2" overlap of Tube or 090 Connector with the Mounting Bracket without covering the mounting hole. The Mounting Bracket Bridge aligns with the stopper inside the Mounting Bracket, covers the mounting point, and provides security.</p>		
<b>Specifications</b> <ul style="list-style-type: none"> <li>• Length 5" x Width 1.6" x Height .9"</li> <li>• 18-gauge electro-galvanized steel</li> <li>• Weight .34 lbs</li> <li>• Manufactured mounting point along center line</li> <li>• Bridge slides inside Mounting Bracket, covering mounting point and providing security</li> </ul> <p>Powder Coat Finish: White Textured</p>		

	<p>Holocom, Inc.  2386 Faraday Avenue, Suite 200  Carlsbad, CA 92008  Tel: (760) 804-9545 Fax: (760) 804-9149  <a href="http://www.holocom.com">www.holocom.com</a></p>	<b>PRODUCT CODE:</b> SMD-WM-MB	<b>TITLE:</b> SECURE MINI DUKT™: MOUNTING BRACKET
<p>All material contained in this document is the property of Holocom, Inc. and may not be reproduced or transmitted (including electronically) without the written consent of Holocom, Inc. Holocom and the Holocom logo are registered trademarks of Holocom, Inc. Other noted marks are trademarks of their respective companies. Holocom products protected by US Pats. 7,183,488; 7,115,814; 7,053,303; 7,049,517; 6,838,616; 5,831,211 and patents pending. Made in the U.S.A. Copyright © 2009 Holocom, Inc. All rights reserved.</p>			