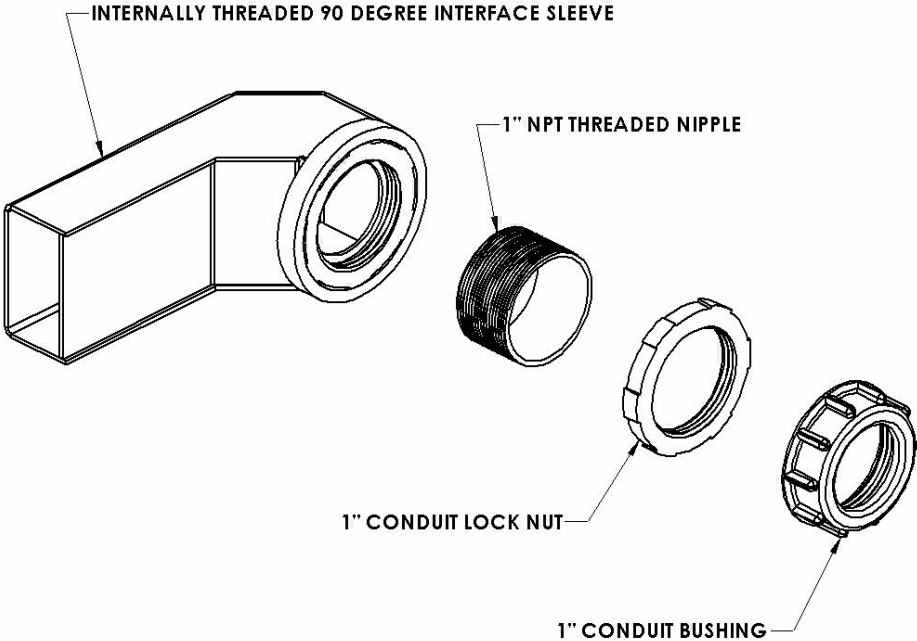



Product Code SMD-CT-INF-90	Nominal Dimensions N/A	
Description <p>The Secure Mini Dukt™ 90° Interface Sleeve (INF) provides a seamless 90° transition from a Secure Enclosure or Through-Wall Kit to Secure Mini Dukt™ Tube. The internally threaded 90° INF has a 45° angled bend in the connector body allowing smooth movement of cabling across the bend. The 90° INF is supplied with a 1" NPT threaded nipple, 1" conduit lock nut, and 1" conduit bushing. It can be used in conjunction with Through-Wall Kits 1, 5, 6, and 7.</p>		
Specifications <ul style="list-style-type: none"> • Electro-galvanized steel • 1" NPT internal threads • Total weight .5 lbs • Includes: <ul style="list-style-type: none"> - 90° Interface Sleeve - 1" NPT threaded nipple - 1" conduit lock nut - 1" conduit bushing <p>Powder Coat Finish: White Textured</p>		

	<p>Holocom, Inc. 2386 Faraday Avenue, Suite 200 Carlsbad, CA 92008 Tel: (760) 804-9545 Fax: (760) 804-9149 www.holocom.com</p>	PRODUCT CODE: SMD-CT-INF-90	TITLE: SECURE MINI DUKT™: 90° INTERFACE SLEEVE
<p>All material contained in this document is the property of Holocom, Inc. and may not be reproduced or transmitted (including electronically) without the written consent of Holocom, Inc. Holocom and the Holocom logo are registered trademarks of Holocom, Inc. Other noted marks are trademarks of their respective companies. Holocom products protected by US Pats. 7,183,488; 7,115,814; 7,053,303; 7,049,517; 6,838,616; 5,831,211 and patents pending. Made in the U.S.A. Copyright © 2009 Holocom, Inc. All rights reserved.</p>			