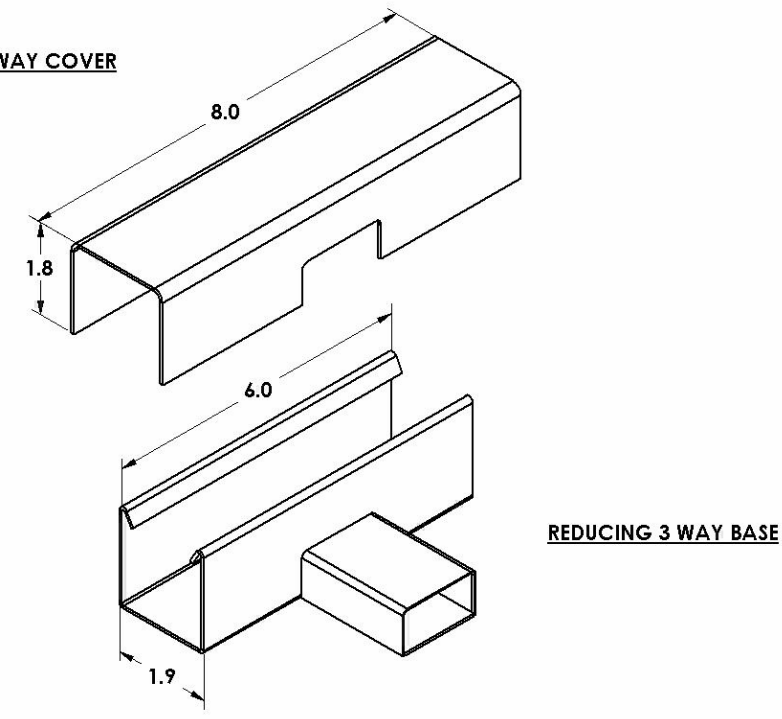



Product Code SMD-CT-3WY	Nominal Dimensions 8" x 2" x 2"	
Description <p>The Secure Mini Dukt™ Reducing Three-Way Connector provides the transition point between Secure Raceway and a section of Secure Mini Dukt™, usually leading to a User Drop Box. This T-shaped, two-piece connector consists of a 16-gauge base and cover and an 18-gauge transition tube welded to the base. Two manufactured mounting points on the base allow a simplified, labor-saving mounting technique. Installing the Reducing Three-Way Connector to two sections of Secure Raceway requires one Steel Locking Kit (SDS-LK-KIT-ST), one End-To-End Connector (SDS-CT-EE6-ST) and two Secure Raceway Joints (SDS-RW-SRJ). When the Reducing Three-Way Connector is used at the end of a Secure Raceway run, the installer would use one Steel Locking Kit, one End-to-End Connector, two Secure Raceway Joints, and one Run End Connector (SDS-WM-REC) to complete the run.</p>		
Specifications <ul style="list-style-type: none"> • 16-gauge electro-galvanized steel base and cover and 18-gauge transition tube • Length 8" x Width 1.9" x Height 1.8" • Weight 1.5 lbs • Two manufactured mounting points located along connector base center line <p>Powder Coat Finish: White Textured</p>		

	<p>Holocom, Inc. 2386 Faraday Avenue, Suite 200 Carlsbad, CA 92008 Tel: (760) 804-9545 Fax: (760) 804-9149 www.holocom.com</p>	PRODUCT CODE: SMD-CT-3WY	TITLE: SECURE MINI DUKT™: REDUCING THREE-WAY CONNECTOR
<p>All material contained in this document is the property of Holocom, Inc. and may not be reproduced or transmitted (including electronically) without the written consent of Holocom, Inc. Holocom and the Holocom logo are registered trademarks of Holocom, Inc. Other noted marks are trademarks of their respective companies. Holocom products protected by US Pats. 7,183,488; 7,115,814; 7,053,303; 7,049,517; 6,838,616; 5,831,211 and patents pending. Made in the U.S.A. Copyright © 2009 Holocom, Inc. All rights reserved.</p>			