

<b>Product Code</b> SDS-WM-REC	<b>Nominal Dimensions</b> 7.5" x 2" x 2"
-----------------------------------	---

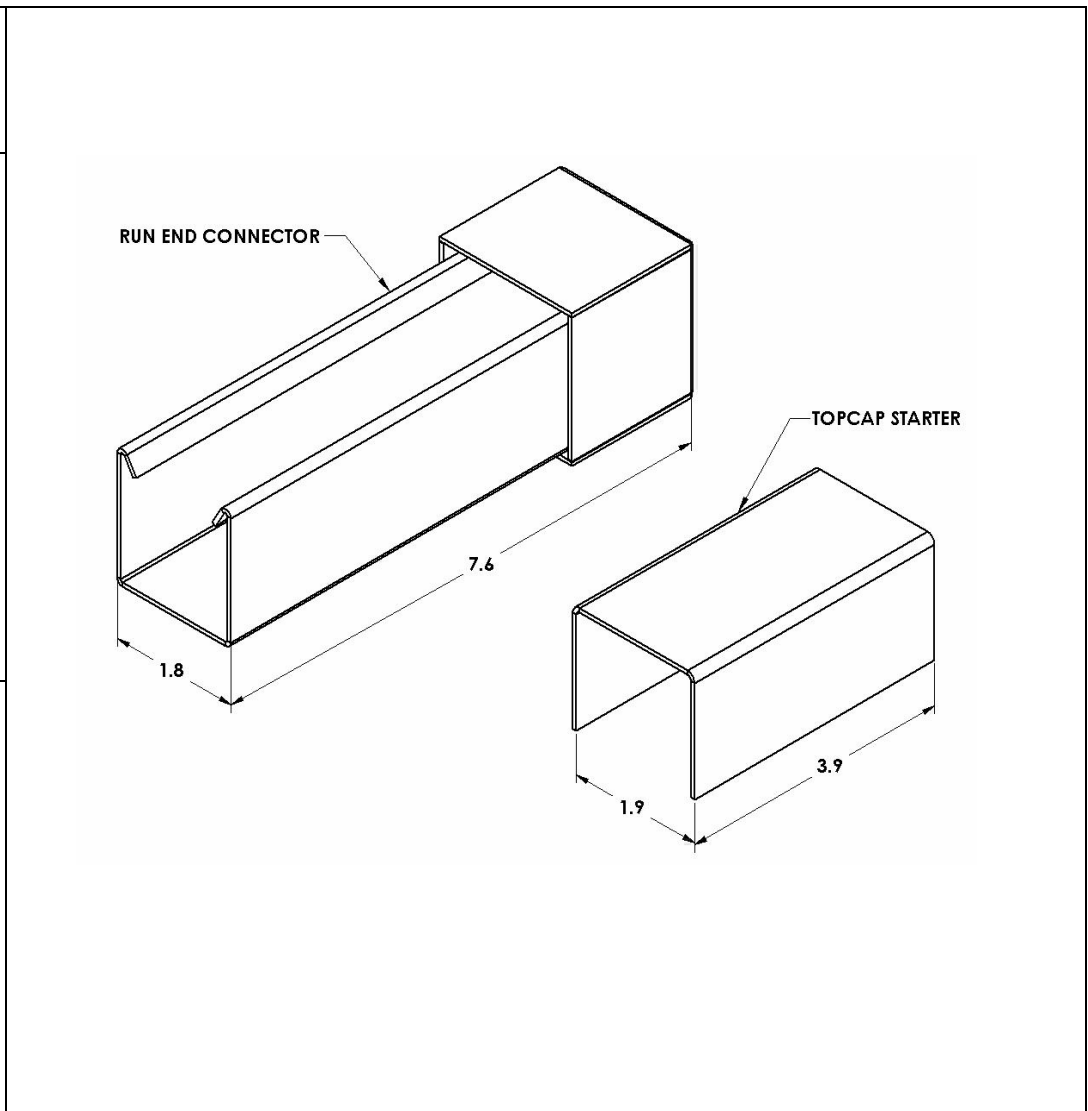
**Description**

The Run End Connector, with welded end cap, provides a solution for ending a section of Secure Raceway within a room or hallway. If used in conjunction with the Secure Mini Dukt™ Reducing Three-Way Connector (SMD-CT-3WY), the supplied TopCap starter can be used instead of the longer 6" TopCap starter from the Steel Locking Kit (SDS-LK-KIT-ST). In a standalone Secure Raceway run, the Run End Connector may be used instead of the Universal Connector (SDS-CT-UNI) or lockable enclosure to end the run. With the addition of other locking components, the Run End Connector base and TopCap securely lock together. The Run End connector also may be used in conjunction with a 1, 5, or 7 Through-Wall Kit to connect Secure Raceway or Secure Mini Dukt to the run. Manufactured mounting points on the Run End Connector base allow a simplified, labor-saving mounting technique.

**Specifications**

- 16-gauge electro-galvanized steel
- Length 7.6" x Width 1.9" x Depth 1.9"
- Total weight 1.5 lbs
- Two (2) manufactured mounting points located along base centerline

Powder Coat Finish: White Textured



Holocom, Inc.  
 2386 Faraday Avenue, Suite 200  
 Carlsbad, CA 92008  
 Tel: (760) 804-9545 Fax: (760) 804-9149  
[www.holocom.com](http://www.holocom.com)

**PRODUCT CODE:**  
SDS-WM-REC

**TITLE:**  
RUN END CONNECTOR

All material contained in this document is the property of Holocom, Inc. and may not be reproduced or transmitted (including electronically) without the written consent of Holocom, Inc. Holocom and the Holocom logo are registered trademarks of Holocom, Inc. Other noted marks are trademarks of their respective companies. Holocom products protected by US Pats. 7,183,488; 7,115,814; 7,053,303; 7,049,517; 6,838,616; 5,831,211 and patents pending. Made in the U.S.A. Copyright © 2009 Holocom, Inc. All rights reserved.